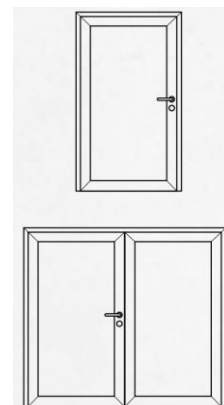


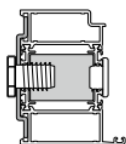
ALUMINIUM DOOR AND PARTITION INSTALLATION MANUAL

- If needed doors can be delivered fully assembled with installed glass from the factory.
- Holes for installation if agreed will be predrilled and adjufixes attached on the frame.
- Preparation and insulation of openings of the building should be defined before installation works. It is responsibility of the customer, architect and dealer.
- Installation principles applied in supporting constructions:
 - Flexible (wood/steel studs), min. thickness of wall 95 mm
 - Rigid concrete wall (light or heavy weight concrete)

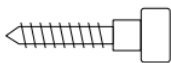


For glass mounting, see the manual for fitting glass in fire products

Installation material



1. Adjufix



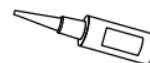
2. Screws



3. Caps



4. Wedges



5. Sealing compound for fire rated doors



6. Screws for threshold fastening.

Installation tools



1. Cordless screwdriver



2. Hexagonal screwdriver bit.



3. Magnetic bits



4. Drill



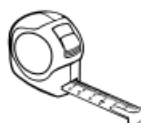
5. Light hammer



6. Spirit level



7. Angle

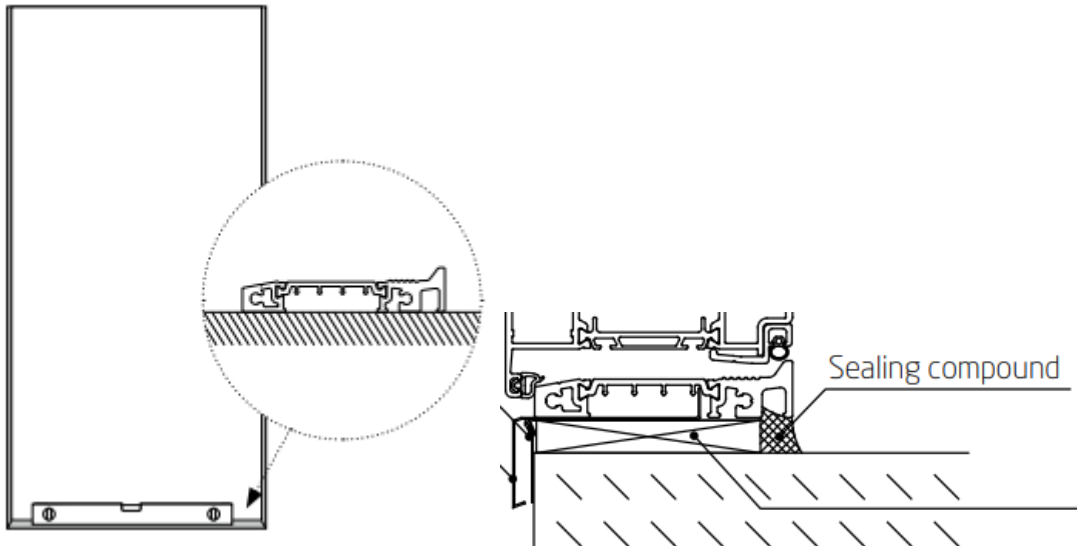


8. Tape-measure

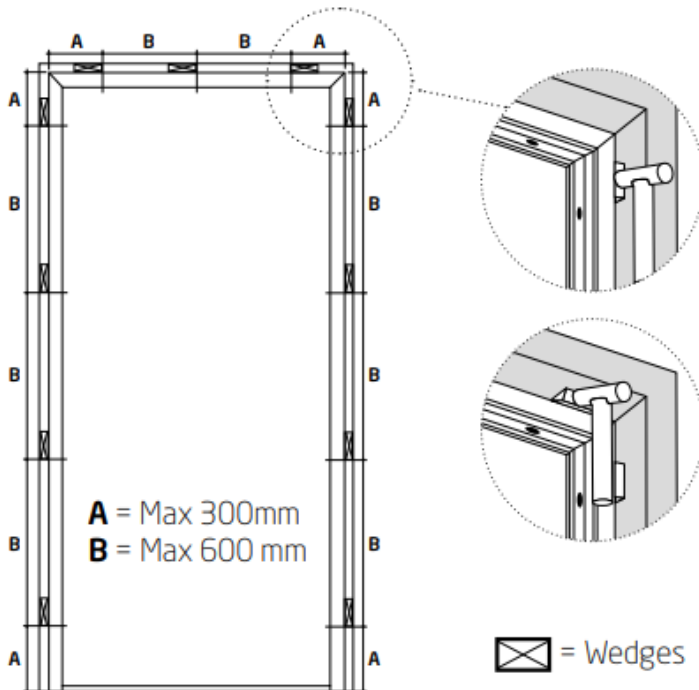
Door installation to the opening

1. Prepare the opening for installation. The entire base under threshold must be flat and level. If it will be decided to use bearing support beneath the threshold it must be in level and continuous end-to-end.

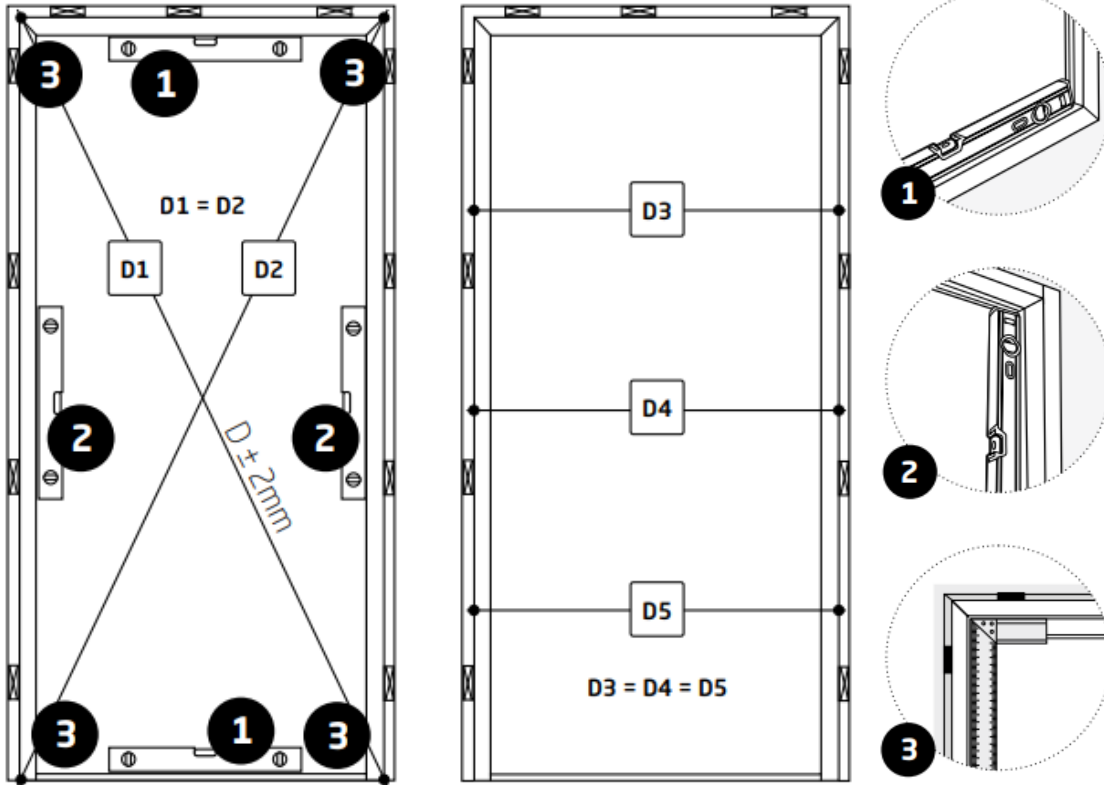
Water and thermo sealing below the threshold can be considered before installation! (below picture)



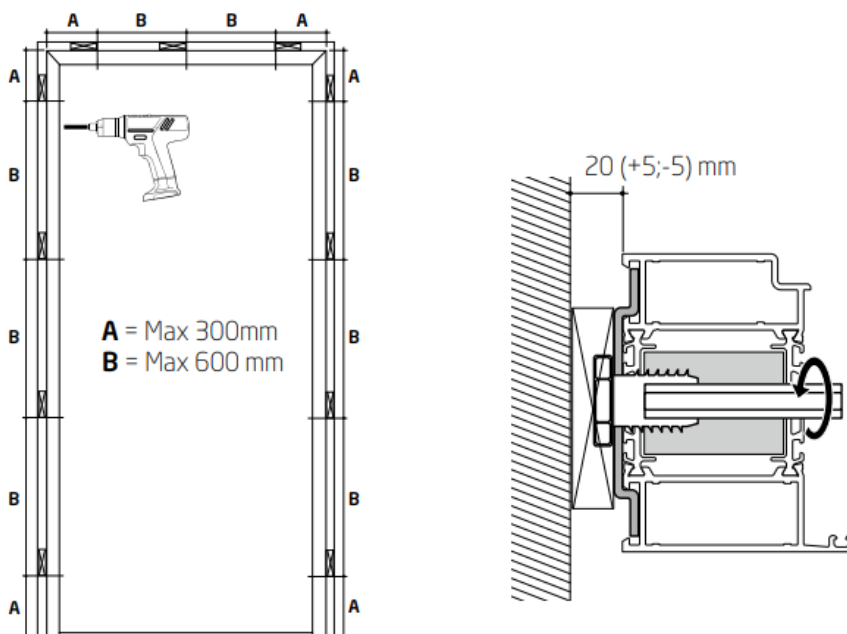
2. Fix the frame with wedges. Wedges must be positioned next to each fixing point on the frame and should not be sticking out of the construction's mounting depth. The gap between the frame and the wall is recommended: 20 (+5;-5) mm.



3. Ensure horizontal and vertical levelling of the frame. Frame jambs must be square and plumb in both directions and the diagonals (D1 and D2) should be identical. Check the rebate widths are equal across the hinge and locking points (D3, D4 and D5).



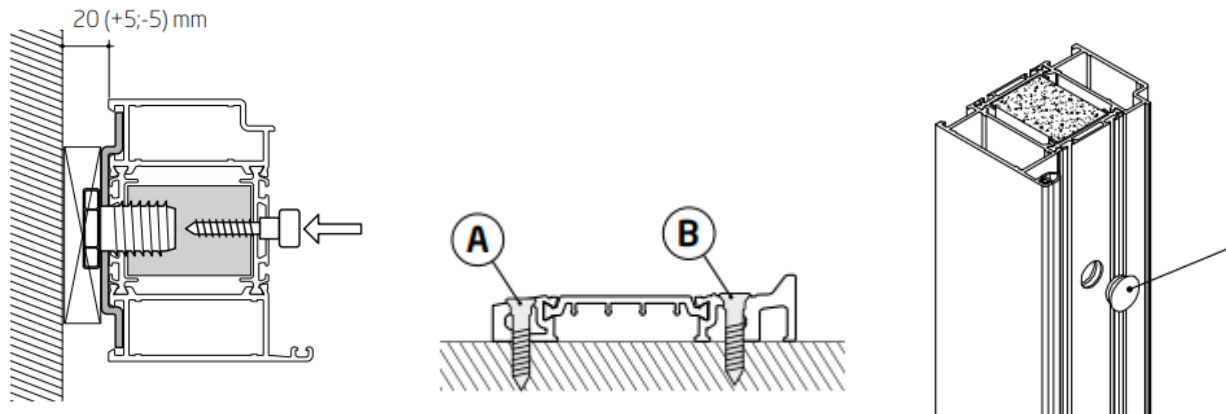
4. Fix the frame with adjufix mounting bolts into the opening. Open the sash in 90 degrees and support it while fixing the frame to opening with the help of Hexagonal screwdriver bit. Start from the hinges side! Always use wedges or setting blocks between door frame and wall regardless of chosen installation alternative.



- Screw bolts through adjufix mounting bolts on the frame.
- Fasten the threshold. For external doors, seal the screws with sealing compound.
- Cover the holes with plastic caps

All wedges should be left in places and should not be sticking out of the construction's mounting depth.

Ensure that horizontal and vertical levelling has not changed for the frame.



Install the sash back to the frame, adjust tightness of the sash:

Check door leaf and frame - Make sure door leaf and frame flush with each other. The distance should be 5 (0;-2) mm on all edges of the door leaf.

